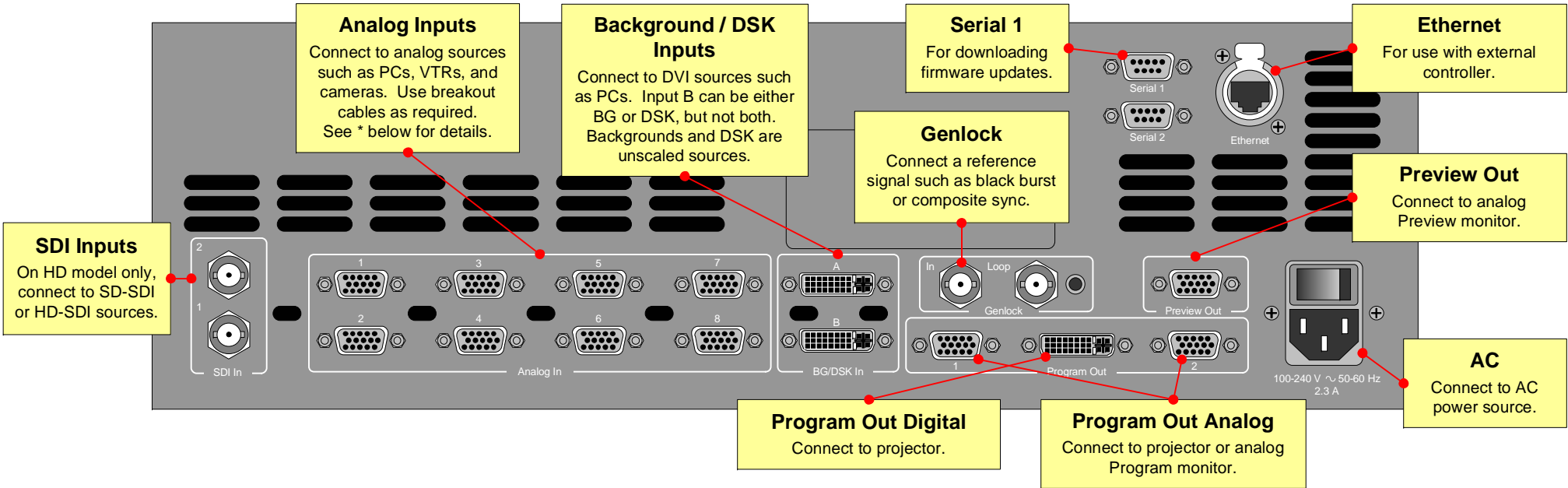


ScreenPRO-II

Quick Start Guide



Quick Install and Setup

Getting Started

1. Observe all safety precautions. Rackmount chassis, or install in "tabletop" configuration.
2. Connect all inputs, monitors, projector and AC. Install genlock signal if required. Power on.
3. Perform factory reset: Using **Touch Screen** buttons, press {SYSTEM} > {RESET}. On **Reset Type** line, use **ADJ** knob to select **FACTORY**. Press {RESET} > {YES}.
4. Calibrate **Touch Screen**: Press {DISPLAY} > {LCD CAL}, and follow on-screen prompts.

Output and Projector Setup

5. Press {OUTPUT}.
6. On **Format** line, select projector's native resolution.
7. Press {SELECT FORMAT} to accept, then {SAVE}.
8. For projector setup, press {TEST PATTERN}.
9. On the **Type** line, select the **Burst** pattern.

10. Adjust your projector as required. [User's Guide: Chapter 5, "Projector Setup" section.]

11. When complete, set test pattern **Type** to **Off**, set **Raster Box** to **Off**, then press {HOME}.

Input Setup

12. On the **Source Selection Bus**, press an input button. If the "acquire" is successful, the source appears on Preview. This may take several seconds.
13. Press {SAVE}. The **Input Menu** will appear.
14. If the "Acquisition Failed" message appears, check all connections and press {FORCE ACQUIRE}. If successful, press {SAVE}.
15. If the input still does not acquire, perform a detailed setup. [User's Guide: Chapter 5, "Comprehensive Input Setup" section.]
16. Repeat from step 12 for all remaining inputs. Be sure to {SAVE} each input.
 - **Note:** To adjust input size, use the {SIZING} menu. [User's Guide: Chapter 4, "Sizing Menu" section.]

Background, DSK, and LOGO Setup

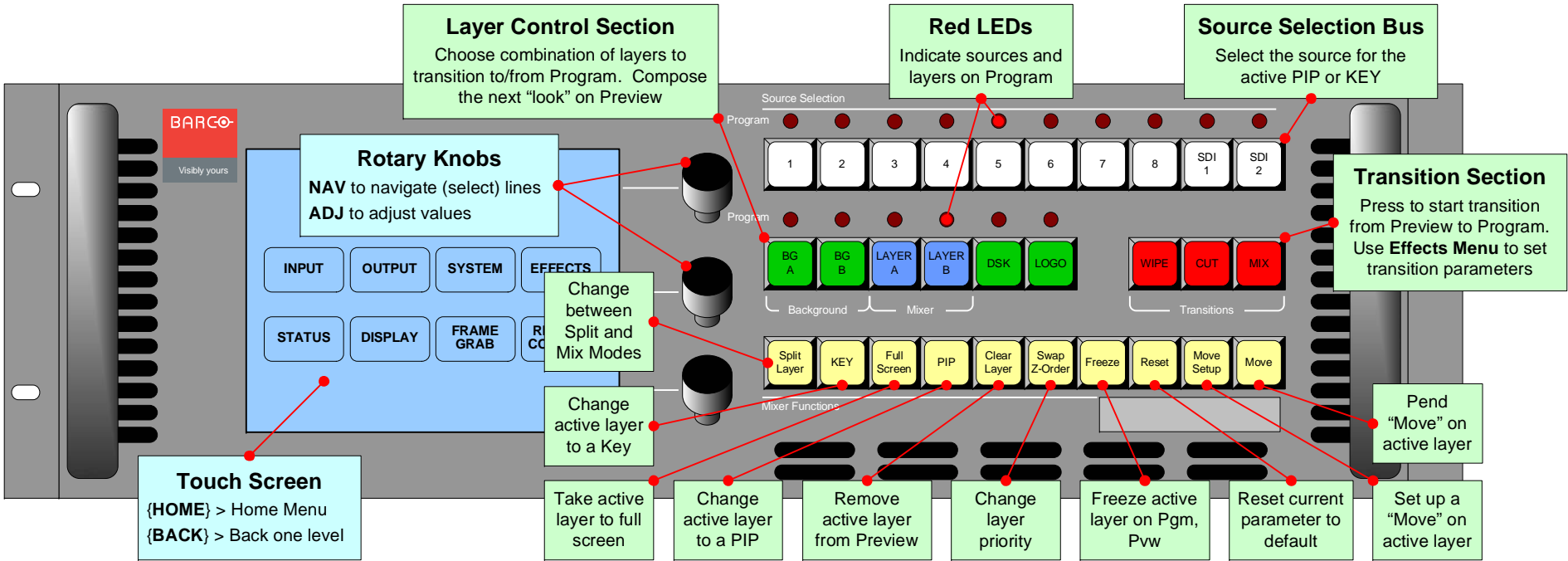
17. See User's Guide, Chapter 5 for setup procedures. DVI background and DSK must be set at same resolution as system output.

* Breakout Cables for Analog Inputs

Breakout Cable Wire Color	Comp Video	S-Video (Y/C)	YUV (YPbPr)	RGB Sync on Green	RGB Comp Sync	RGB Separate H V
R	✓	✓ (Chrom)	✓ (Pr)	✓	✓	✓
G	✓	✓ (Lum)	✓ (Lum)	✓	✓	✓
B	✓		✓ (Pb)	✓	✓	✓
H Sync					✓	✓
V Sync						✓

ScreenPRO-II User's Guide

- For complete details on all installation and operations procedures, please refer to the ScreenPRO-II User's Guide.



Important Global Rules

- **Red LED:** source or layer is on Program, but not adjustable
- **Blinking button:** source or layer active for modification
- **Solid button:** source or layer on Preview, but not adjustable
- **Backgrounds, DSK and LOGO** are unscaled sources.
- **Background B and DSK** are mutually exclusive. If one is on-air, the other cannot be used.
- **"Blinking" Raster Box** is the one enabled for modification.

Button Color Usage

- White:** Sources
- Green:** Unscaled sources
- Yellow:** Functions that apply to active layer
- Blue:** Scaled sources
- Red:** Transitions

Operations Overview

Working with PIPs in Mix Mode

- Always compose your "look" on Preview. This represents the exact appearance of Program — after you transition.
1. On **Source Selection Bus**, select an input.
 2. Press **PIP**. The **PIP Adjustment Menu** appears.
 3. (Optional) Press **Full Screen**.
 4. Adjust PIP size, position, border, shadow, source image, cropping and "special effects." [User's Guide: Chapter 6, "Modifying PIPs" section.]
 5. Transition the setup to program by pressing **WIPE**, **CUT** or **MIX**. [User's Guide: Chapter 6, "Working with Transitions" section.]
 6. For the next PIP setup, repeat from step 1.
 7. To remove layer from Preview, press **Clear Layer**, and then press **WIPE**, **CUT** or **MIX** to remove the layer from Program.
 8. For information on all operational modes and features, refer to Chapter 6, "Operations" in the User's Guide.

Menu System Orientation

Use this list to learn what's available on each menu

- From the **Home Menu**, press:
- **{INPUT}** > **Input Menu**. Set input format, adjust brightness & contrast, adjust aspect ratio, set color balance, sizing
 - **{OUTPUT}** > **Output Menu**. Set output format, adjust genlock params, set test patterns and output raster box
 - **{SYSTEM}** > **System Menu**. Set "mix mode" params, software reset, diagnostics, program EDID, set com params
 - **{EFFECTS}** > **Effects Menu**. Set transition and wipe params
 - **{STATUS}** > **Status Menu**. Display software version
 - **{DISPLAY}** > **Display Settings Menu**. Set Touch Screen brightness/contrast, button backlight, and LCD calibrate
 - **{FRAME GRAB}** > **Frame Grab Menu**. Grab still frames to use as background, DSK or LOGO source
 - **{REMOTE CONTROL}** > **Remote Control Menu**. Enable & disable remote control.